



4G corner



300mm x 20mm x 25mm
Weight: 108gms/bar
Flow Gap: 10mm
Per mr: 34bars

DOLPHIN



300mm x 15mm x 25mm
Weight: 83gms/bar
Flow Gap: 10mm
Per mr: 40bars

DOLPHIN



300mm x 18mm x 25mm
Weight: 102gms/bar
Flow Gap: 10mm
Per mr: 36bars

EZYFLOW



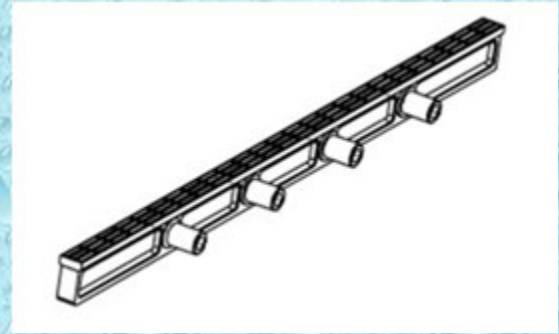
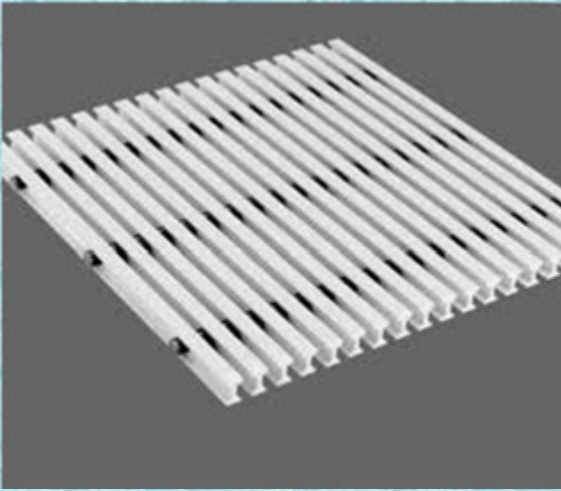
300mm x 12mm x 25mm
Weight: 66gms/bar
Flow Gap: 10mm
Per mr: 46bars

4 STUD



300mm x 12mm x 25mm
Weight: 68gms/bar
Flow Gap: 9mm
Per mr: 48bars

BESTE



Width

Unit Price

250mm x 12.8 x 25mm	
300mm x 12.8 x 25mm	
350mm x 12.8 x 25mm	
400mm x 12.8 x 25mm	

Properties	Typical ASTM Test	Units	Typical Value
Tensile Yield Stress	ISO 527	Mpa	53
Tensile Elongation	ISO 527	%	>10
Flexural Modulus	ISO 527	Mpa	2700
Flexural Stress	ISO 178	Mpa	81
Density	ISO 1183	kg/m ³	1040
Melt Flow Rate	ISO 1133	g/10min	25
Charpy Impact, notched	ISO 179 / 1eA	kJ/m ²	17